

NEST - 540

NESTED PASTA AND LASAGNA MACHINE



rev. 0010.1809.35

■ NEST - 540

- Machine for the production of nested pasta, coiled pasta and lasagna arranged on trays
- Maximum production capacity: 19.200 nests/h (25 g dry) – 9000 lasagna sheets/h (17 g dry)
- Pair of calibrating rollers with adjustable thickness
- Pair of cutting rollers for standard and special pasta shapes

NEST - 540

Designed for medium- and large-scale food industry plants, this machine can be coupled to presses and dough sheeters. The new design, the use of new materials, the technical solutions adopted and the particularly sturdy framework have enabled Storci to construct a very low-maintenance machine which is hard-wearing and easy to clean.

Main technical features:

- Parts in contact with foodstuffs made from stainless steel or treated with non-toxic coatings.
- Calibrating and cutting rollers rotation speed controlled by inverters to facilitate continuous operation when combined with presses and dough sheeters.
- The length of the cut set by the operator is controlled by an encoder and is not affected by machine operating speed.
- Standard tagliatelle widths: 1.5-2-3-4-5-6-8-10-12-14-16 mm; other sizes available on request.
- An encoder-controlled transversal blade positioned near the product collecting trays makes the final cut.
- Automatic depositing of product onto trays.

Optional extras:

Oval pipes kit for coiled nests.



Detail of lasagna in pre-dryer infeed



Detail of nested pasta in pre-dryer infeed

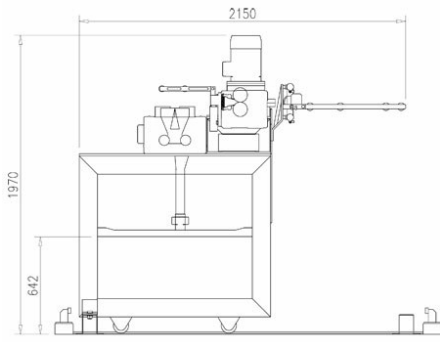


■ NEST - 540

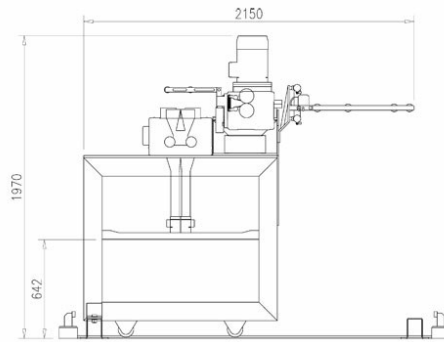


Special line for nested pasta, lasagna, short-cut pasta and special pasta

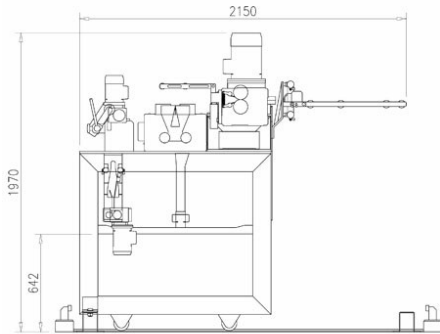
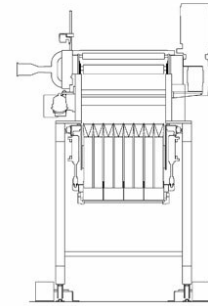
NEST - 540



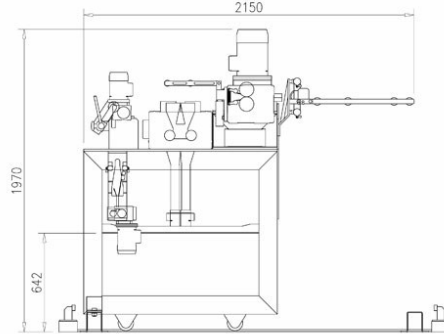
NEST 540 8N



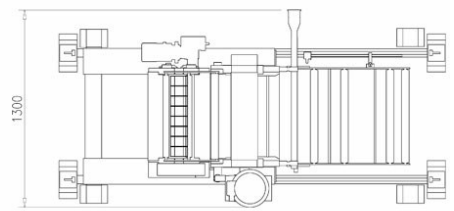
NEST 540 16N



NEST 540 8NL



NEST 540 16NL



NEST - 540				
Model	8N	16 N	8 NL	16 N/L
Pasta sheet width (mm)	540	540	540	540
Nest production (tel/min)	160*	320*	160*	320*
Lasagna production (tel/min)	-	-	150**	150**
Power installed (kW)	3	3	3,5	3,5
Weight (kg)	700	720	850	870
Size LxPxH (mm)	1300x2150x1970	1300x2150x1970	1300x2150x1970	1300x2150x1970

Dimension and technical data are not binding. Storci S.p.A. reserves the right to modify them without notice.

* for nest 25 g dry, 62 mm

** for lasagna 170x82x 1,1 dry weight 17 g



facebook.com/storci.spa



youtube.com/user/StorciPastaMachinery



linkedin.com/company/storci-spa

Storci S.p.A.
via Lemignano, 6 - 43044 Collecchio (Parma)
phone: +39 0521 543611 fax: +39 0521 543621
www.storci.com - sales-storci@storci.com

