

Storci

PASTA MACHINERY

STF TV DOUGH SHEETER

AUTOMATIC VACUUM DOUGH SHEETER



rev. 0015.1809.52

■ STF TV

- The “STF TV” vacuum dough sheeter represents a revolutionary innovation
- Ideal for producing long ribbon pasta (tagliatelle) or filled pasta
- Fresh production capacity: approximately 200-1400 kg/h
- Three kneading rollers and one pair of laminating rollers with separate motor drive
- Totally reliable, maximum pasta quality and extremely easy to clean

we know pasta

STF TV DOUGH SHEETER

The STF total vacuum dough sheeter is designed to produce pasta sheets in the total absence of air and obtain (based on the use of the same raw materials), a product which is:

- A more intense shade of yellow
- More elastic
- More compact
- Better at withstanding cooking.

Automatic absolute vacuum dough sheeter in stainless steel for producing pasta sheets. Automatic production which does not require the fixed presence of an operator. Three kneading rollers and one pair of laminating rollers with separate motor drive. Totally reliable, self-cleaning design for extremely easy cleaning.

Main technical features:

- Ideal for producing every type of dry or fresh pasta, be it filled or simple
- Oversizing of all versions without encountering any mechanical problems
- The special design of the kneading rollers makes it possible to vary the “dough compression” phase
- The machine is equipped with an innovative lever system so that it can be opened completely



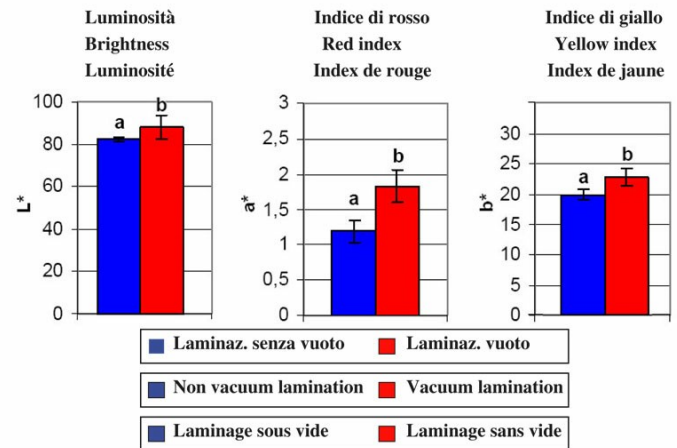
Dough sheeter with conveyor belt for feeding pasta to the filled pasta forming machine



Kneading and sheet calibration system

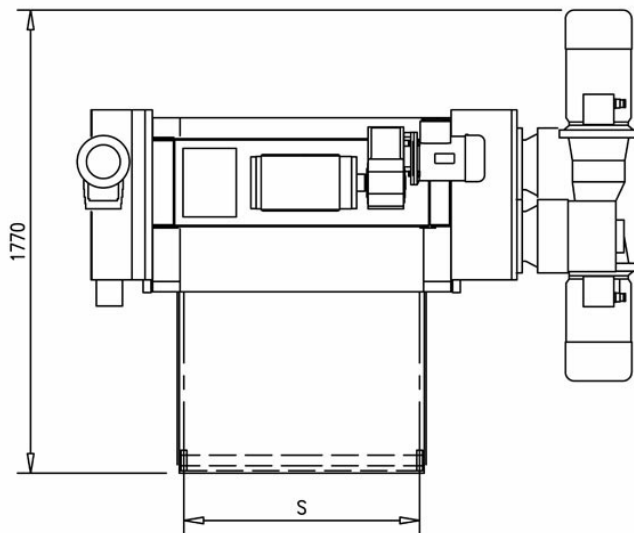
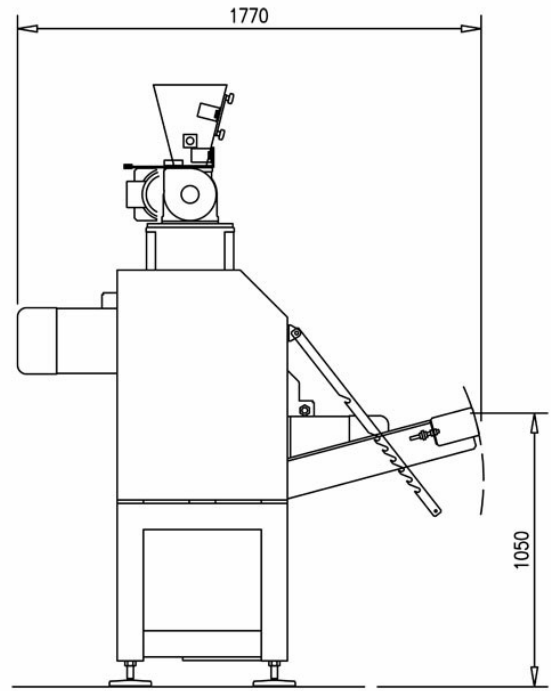
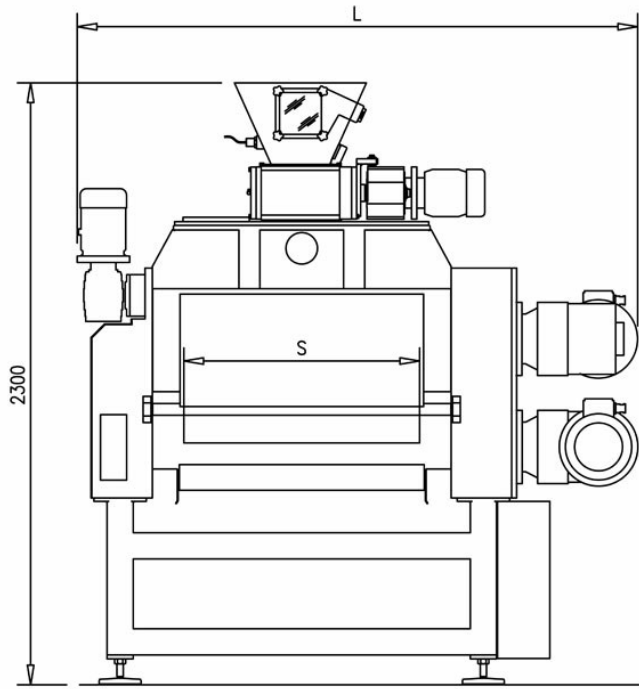


Kneading and sheet calibration system



Experimental studies Brightness and color measurement

STF TV DOUGH SHEETER



| | STF-540 TV | STF-600 TV | STF-800 TV | STF-900 TV | STF-1060 TV | STF-1200 TV |
|--------------------------------|------------------|------------------|------------------|------------------|------------------|------------------|
| Sheet width S (mm) | 540 | 600 | 800 | 900 | 1060 | 1200 |
| Fresh production (kg/h) | 200-600 | 250-750 | 300-900 | 350-1000 | 400-1200 | 450-1400 |
| Installed power (kW) | 9 | 9 | 10.5 | 11 | 13.5 | 15 |
| Weight (kg) | 2100 | 2200 | 2400 | 2650 | 2800 | 3050 |
| Dimensions (mm) | 1780x 1770x 2300 | 1840x 1770x 2300 | 2040x 1770x 2300 | 2140x 1770x 2300 | 2300x 1770x 2300 | 2440x 1770x 2300 |

Dimension and technical data are not binding. Storci S.p.A. reserves the right to modify them without notice.

Note: the data provided is purely indicative and not binding as it may be subject to the variability of products and the line in which units are installed.



facebook.com/storci.spa



youtube.com/user/StorciPastaMachinery



linkedin.com/company/storci-spa

Storci S.p.A.
via Lemignano, 6 - 43044 Collecchio (Parma)
phone: +39 0521 543611 fax: +39 0521 543621
www.storci.com - sales-storci@storci.com

